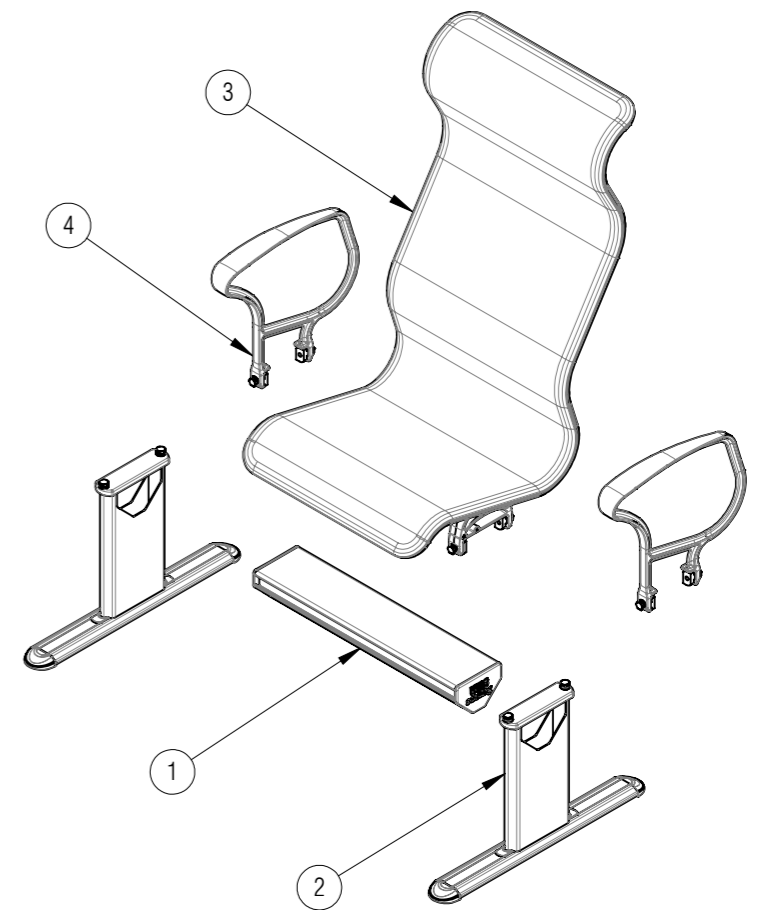


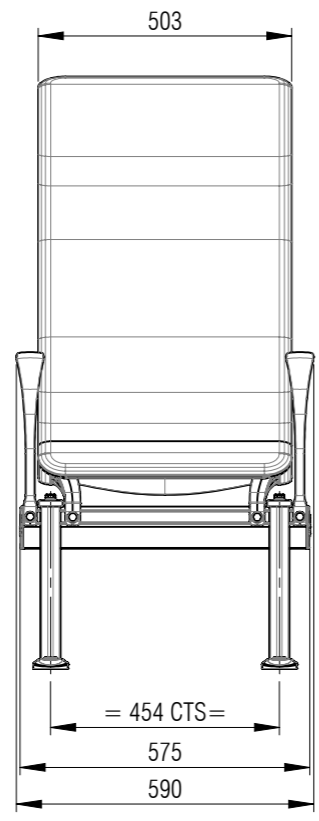
BOM TABLE				
ITEM NO.	PART #	DESCRIPTION	REVISION	QTY.
1	BA-SF500-1S	BEAM ASSEMBLY SEA-FORCE 500 1 SEAT	A	1
2	LA-IN-T-AN-500	LEG ASSEMBLY INTERNAL TRACK ANODISED 500MM	A	2
3	SA-GF500-HBH-WA-00	SEAT ASSEMBLY G-FORCE 500 HIGH BACK HEADREST WITH HARDWARE	A	1
4	AA-CA-WH	CAST ARMREST WITH HARDWARE	A	2



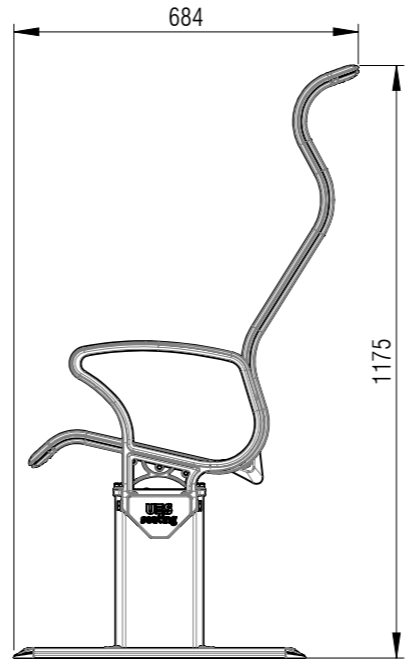
PICTORIAL VIEW



EXPLODED PICTORIAL VIEW



FRONT VIEW



SIDE VIEW

A	INITIAL RELEASE	04/05/2020	SR
REV.	DESCRIPTION	DATE	APPROVED

REVISIONS

© UES SEATING 2020
ALL MEASUREMENTS ARE IN MM UNLESS STATED OTHERWISE

UES seating
A Division of UES International

TOLERANCES:
LINEAR (PART): ± 0.5 mm
LINEAR (ASSEMBLY): ± 1.5 mm
ANGULAR (PART): ± 0.5°
ANGULAR (ASSEMBLY): ± 1.0°

TITLE:
GENERAL ASSEMBLY G-FORCE 500 HIGH BACK HEADREST
1 SEAT INTERNAL TRACK RIVETED WITH ARMREST

DRAWING NO: GA-GF500HBH-1-WA00-IN-TR-A **REVISION:** A

NAME	DATE	MATERIAL:	WEIGHT (KG):
DRAWN SR	04/05/2020	AS PER PARTS LIST	14.71
CHK'D FR		FINISH:	COMBUSTABLE WEIGHT (KG):
APP'VD		AS PER PARTS LIST	1.205

SHEET SIZE: A3 **SCALE:** 1:15 **SHEET 1 OF 1**