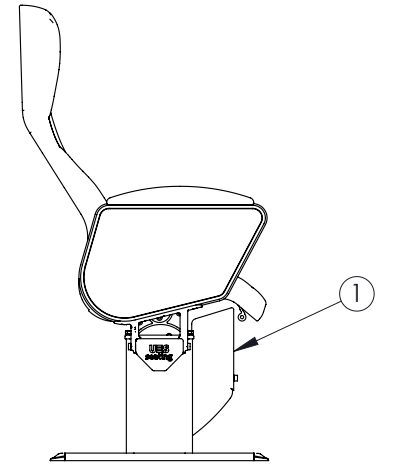
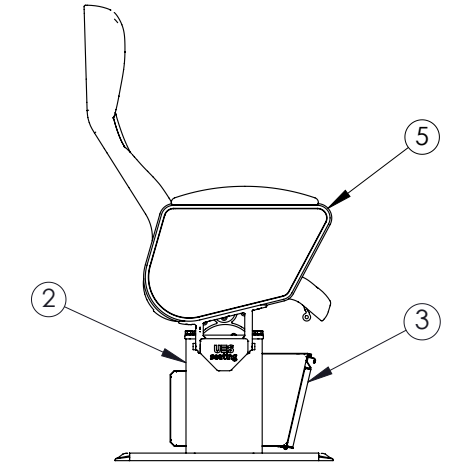


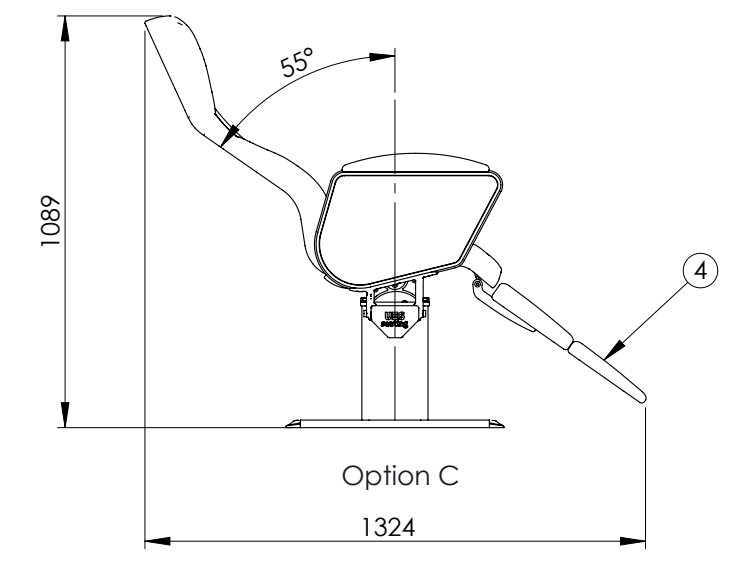
DRAWING	LD-LXF02-50006
REVISION	
DATE	14/03/2018
MODEL	LUXFORM
VARIANT	JOURNEY - MEAL TRAY ARMS
WIDTH	500MM
ACCESSORIES	<ul style="list-style-type: none"> 1. PFD BAG 2. HEAVY DUTY LEG 3. PFD BIN 4. FOOTREST 5. LUX ARM



Option A



Option B



Option C

