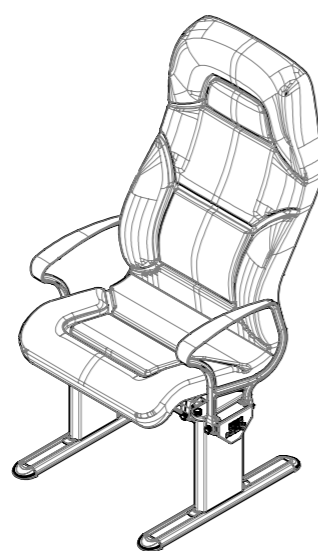
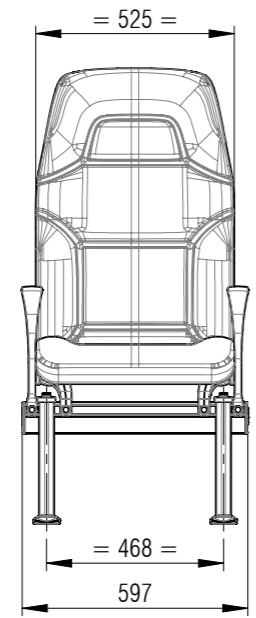


8 7 6 5 4 3 2 1

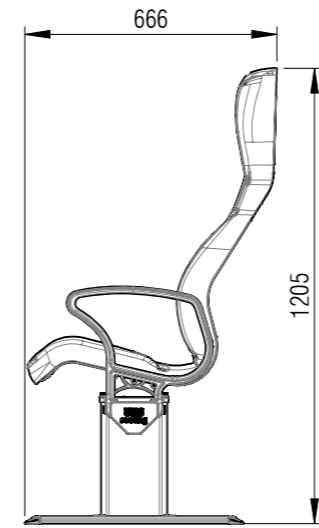
BOM TABLE				
ITEM NO.	PART #	DESCRIPTION	REVISION	QTY.
1	BA-LX500-1S-W2CA	BEAM ASSEMBLY LUXFORM 500 1 SEAT WITH 2 CAST ARMREST	A	1
2	LA-IN-T-AN-500	LEG ASSEMBLY INTERNAL TRACK ANODISED 500MM	A	2
3	SA-LXS500-HB-WA-00	SEAT ASSEMBLY LUXFORM STATIC HIGH BACK 500 WITH HARDWARE	A	1
4	AA-CA-WH	CAST ARMREST WITH HARDWARE	A	2



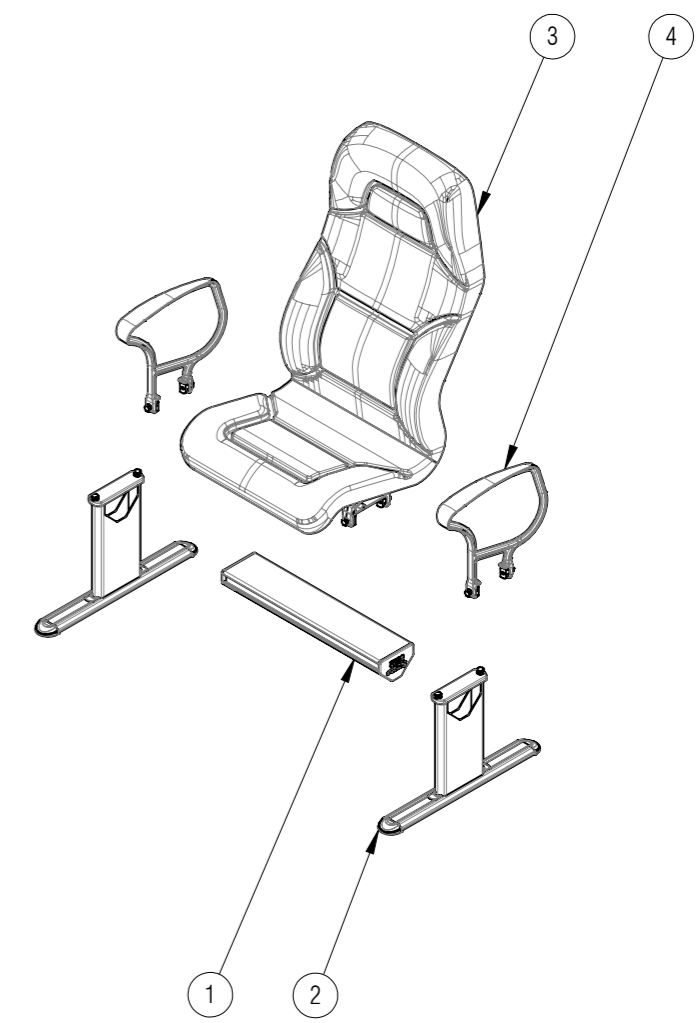
PICTORIAL VIEW



FRONT VIEW



SIDE VIEW



EXPLODED PICTORIAL VIEW

A	INITIAL RELEASE	22/09/2020	SR
REV.	DESCRIPTION	DATE	APPROVED

REVISIONS

© UES SEATING 2020
 ALL MEASUREMENTS ARE IN MM UNLESS STATED OTHERWISE
 TOLERANCES:
 LINEAR (PART): ± 0.5 mm
 LINEAR (ASSEMBLY): ± 1.5 mm
 ANGULAR (PART): ± 0.5°
 ANGULAR (ASSEMBLY): ± 1.0°



TITLE: GENERAL ASSEMBLY LUXFORM STATIC 500 HIGH BACK 1 SEAT INTERNAL TRACK RIVETED WITH 2 ARMREST
 DRAWING NO: GA-LXS500HB-1-WA00-IN-TR-2A REVISION: A

NAME	DATE	MATERIAL:	AS PER PARTS LIST	WEIGHT (KG):	17.07
DRAWN SR	22/09/2020	FINISH:	AS PER PARTS LIST	COMBUSTABLE WEIGHT (KG):	3.322
CHKD JD					
APPVD					
SHEET SIZE: A3		SCALE: 1:20		SHEET 1 OF 1	

8 7 6 5 4 3 2 1