

8

7

6

5

4

3

2

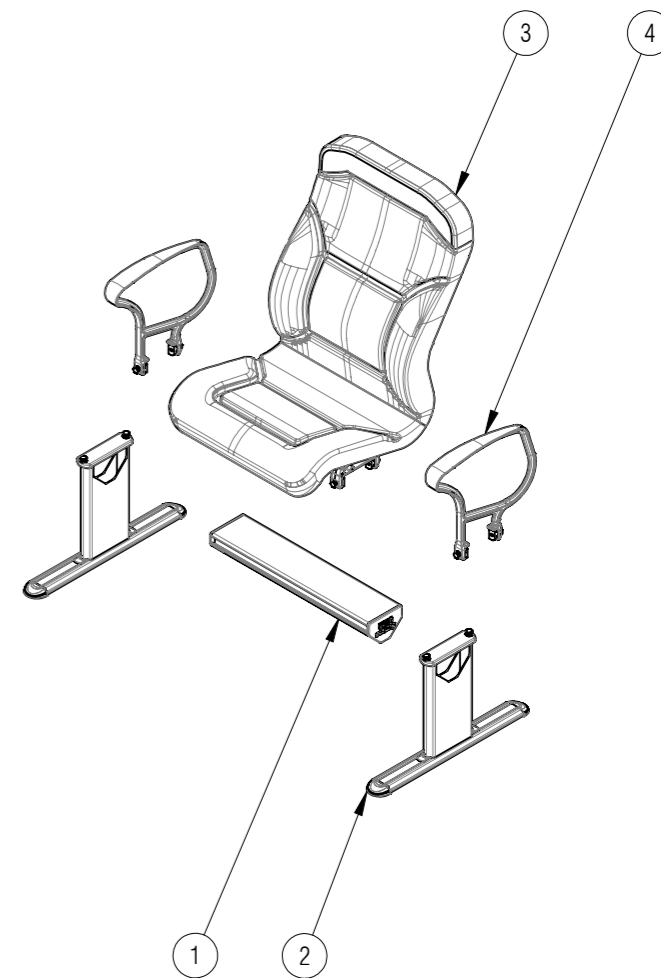
1

BOM TABLE

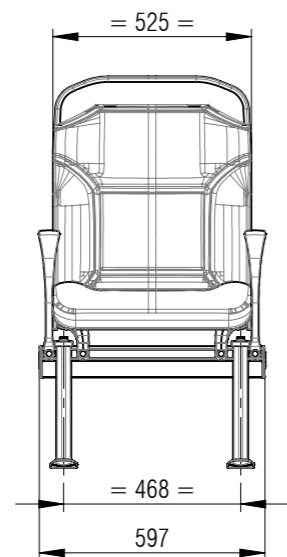
ITEM NO.	PART #	DESCRIPTION	REVISION	QTY.
1	BA-LX500-1S-W2CA	BEAM ASSEMBLY LUXFORM 500 1 SEAT WITH 2 CAST ARMREST	A	1
2	LA-IN-T-AN-500	LEG ASSEMBLY INTERNAL TRACK ANODISED 500MM	A	2
3	SA-LXS500-MB-WA-00	SEAT ASSEMBLY LUXFORM STATIC MEDIUM BACK 500 WITH HARDWARE	A	1
4	AA-CA-WH	CAST ARMREST WITH HARDWARE	A	2



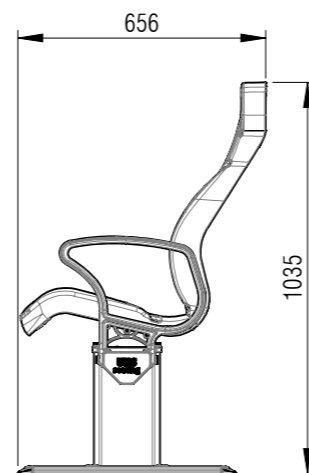
PICTORIAL VIEW



EXPLODED PICTORIAL VIEW



FRONT VIEW



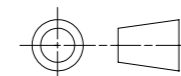
SIDE VIEW

A	INITIAL RELEASE	02/10/2020	SR
REV.	DESCRIPTION	DATE	APPROVED

REVISIONS

© UES SEATING 2020
 ALL MEASUREMENTS ARE IN MM
 UNLESS STATED OTHERWISE

TOLEANCES:
 LINEAR (PART): ± 0.5 mm
 LINEAR (ASSEMBLY): ± 1.5 mm
 ANGULAR (PART): ± 0.5°
 ANGULAR (ASSEMBLY): ± 1.0°



UES seating
 A Division of UES International

TITLE: GENERAL ASSEMBLY LUXFORM STATIC 500 MEDIUM BACK 1 SEAT INTERNAL TRACK RIVETED WITH 2 ARMREST

DRAWING NO: GA-LXS500MB-1-WA00-IN-TR-2A REVISION: A

NAME	DATE	MATERIAL:	AS PER PARTS LIST	WEIGHT (KG):	16.22
DRAWN	SR	02/10/2020	FINISH:	AS PER PARTS LIST	COMBUSTABLE WEIGHT (KG):
CHK'D	JD				2.782
APPV'D					

SHEET SIZE: A3 SCALE: 1:20 SHEET 1 OF 1

8

7

6

5

4

3

2

1