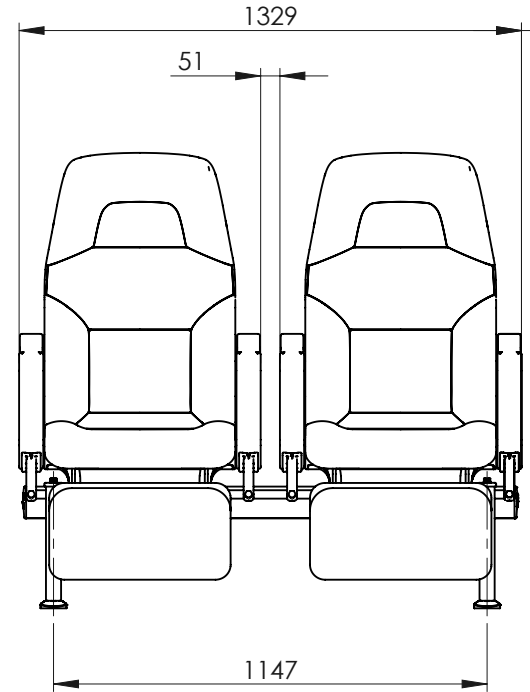
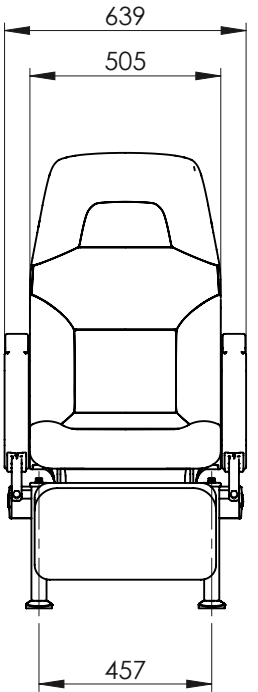
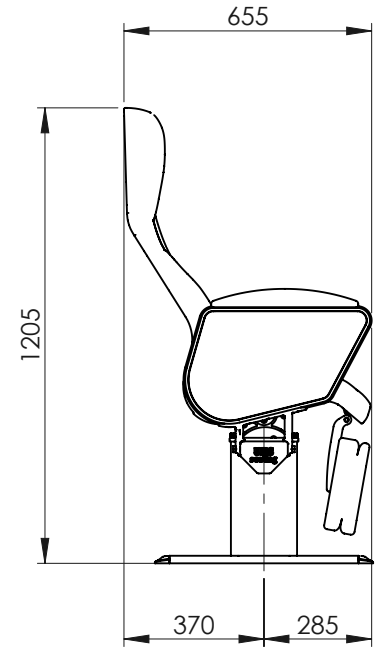
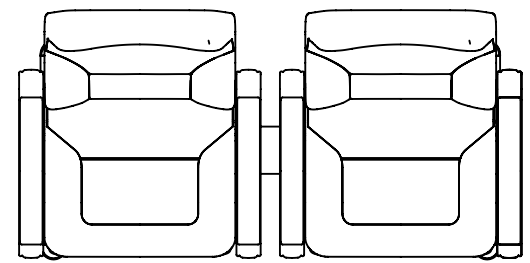
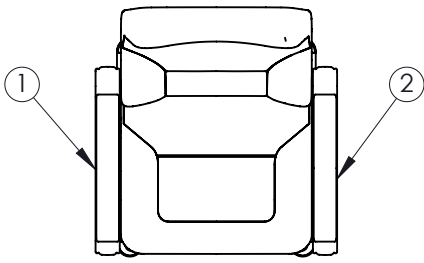
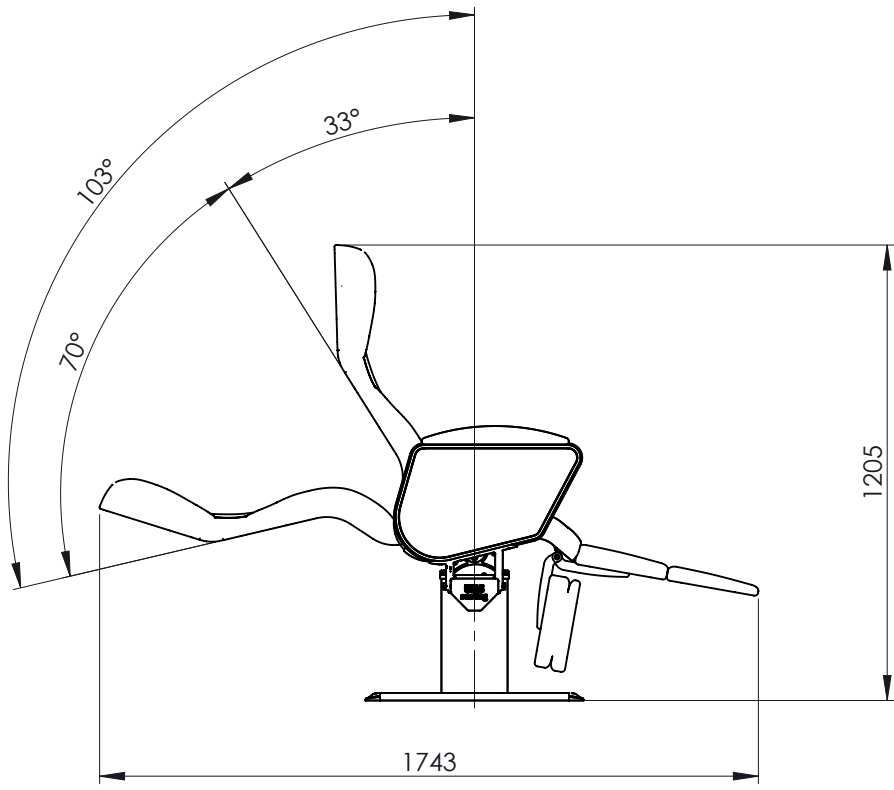
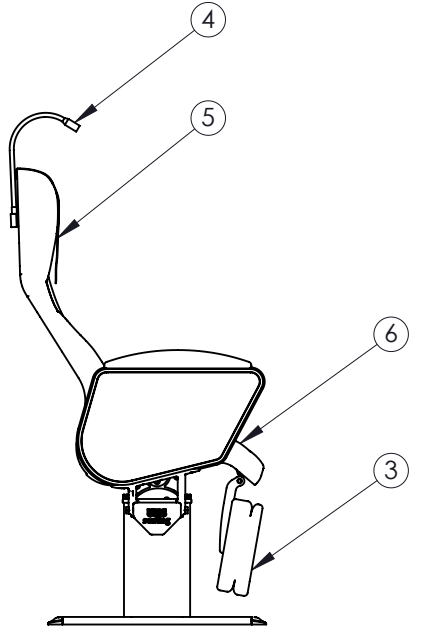


DRAWING	LD-LXF00-50000
REVISION	B
DATE	28/09/2018
MODEL	LUXFORM
VARIANT	VOYAGER
SEAT WIDTH	500mm
ACCESSORIES	<ul style="list-style-type: none"> 1. CONTROL/USB ARM 2. MEAL TRAY ARM 3. BI-FOLD FOOTREST 4. FLEXIBLE READING LIGHT 5. ANTIMACASSAR 6. LAP BELT



55
REQUIRED CLEARANCE
FOR OPENING
MEAL TRAY ARM

DRAWING	LD-LXF00-50001
REVISION	B
DATE	28/09/2018
MODEL	LUXFORM
VARIANT	VOYAGER
SEAT WIDTH	500mm
ACCESSORIES	<ul style="list-style-type: none"> 1. CONTROL/USB ARM 2. MEAL TRAY ARM 3. BI-FOLD FOOTREST 4. FLEXIBLE READING LIGHT 5. ANTIMACASSAR 6. LAP BELT

