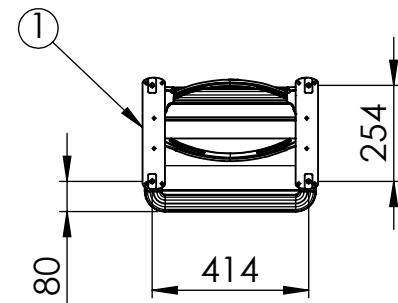
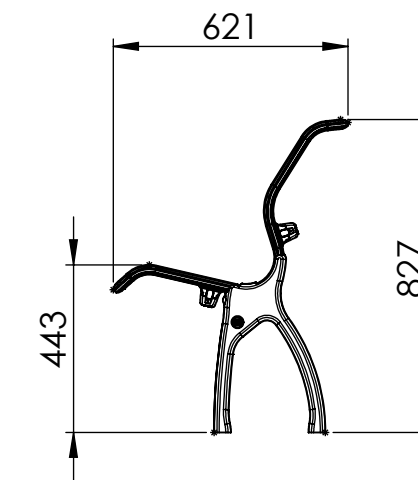
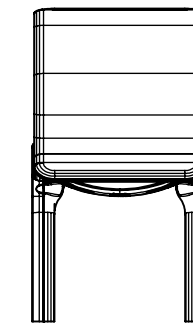
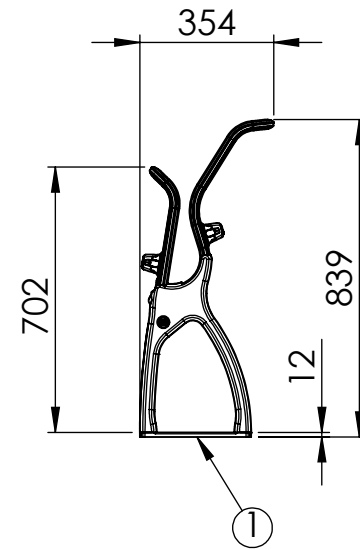
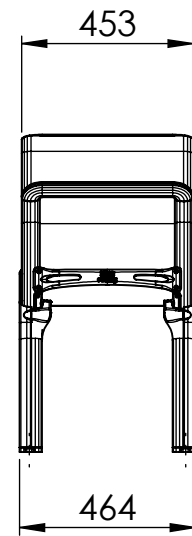
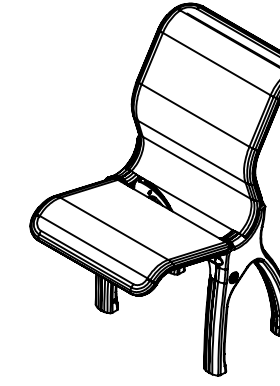
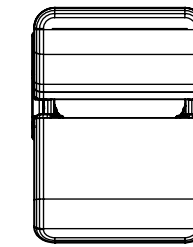
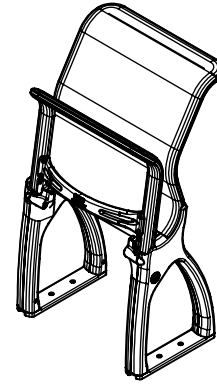
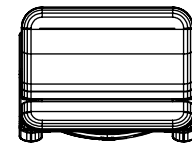


UP POSITION

DOWN POSITION

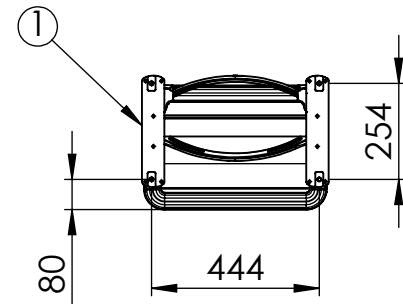
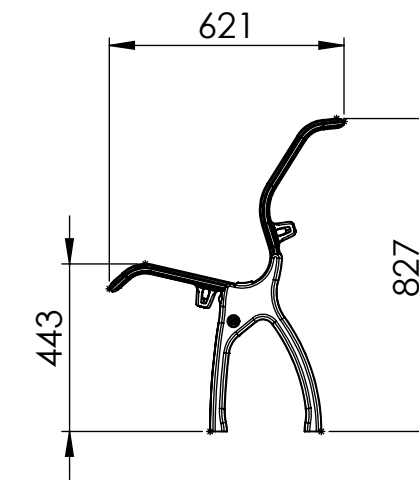
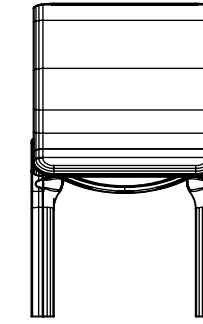
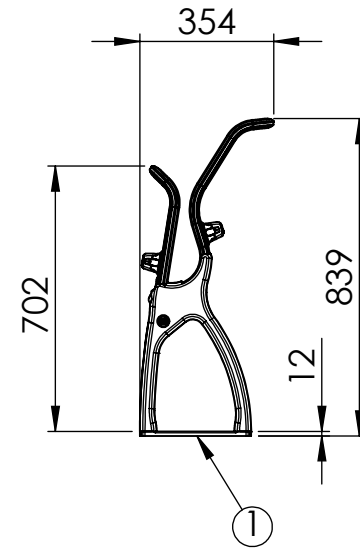
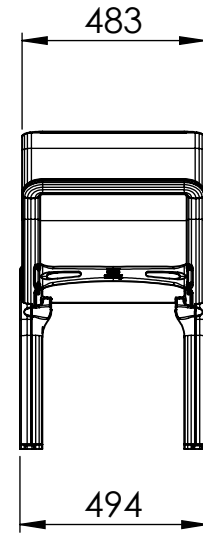
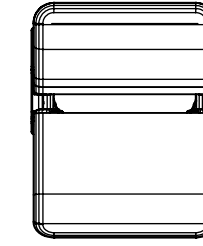
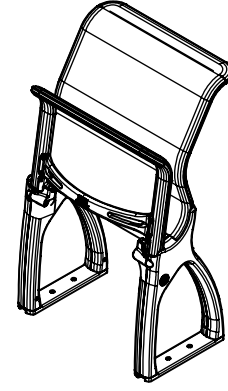
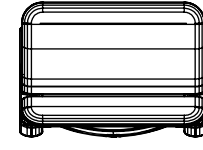
DRAWING	LD-SF01-FUS-455000
REVISION	
DATE	19/01/2018
MODEL	SEA FORCE FOLD UP SEAT
VARIANT	450mm LB
ACCESSORIES	1. LEG BRIDGE (WELD OR RIVET MOUNTING)



UP POSITION

DOWN POSITION

DRAWING	LD-SF01-FUS-485000
REVISION	
DATE	19/01/2018
MODEL	SEA FORCE FOLD UP SEAT
VARIANT	480mm LB
ACCESSORIES	1. LEG BRIDGE (WELD OR RIVET MOUNTING)



UP POSITION

DOWN POSITION

DRAWING	LD-SF01-FUS-505000
REVISION	
DATE	19/01/2018
MODEL	SEA FORCE FOLD UP SEAT
VARIANT	500mm LB
ACCESSORIES	1. LEG BRIDGE (WELD OR RIVET MOUNTING)

