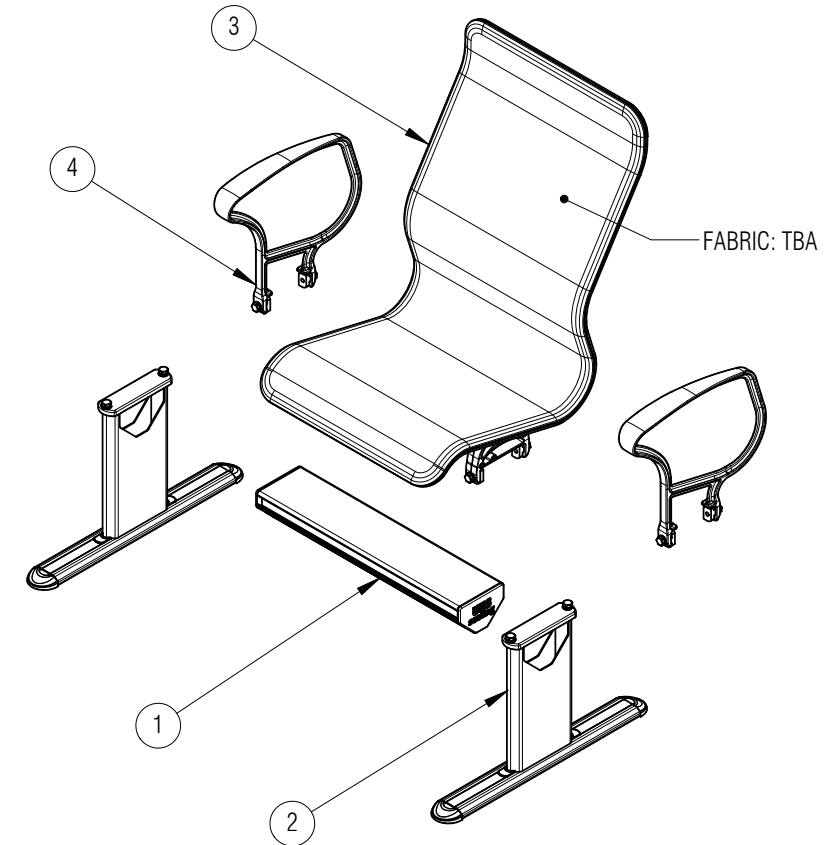


BOM TABLE

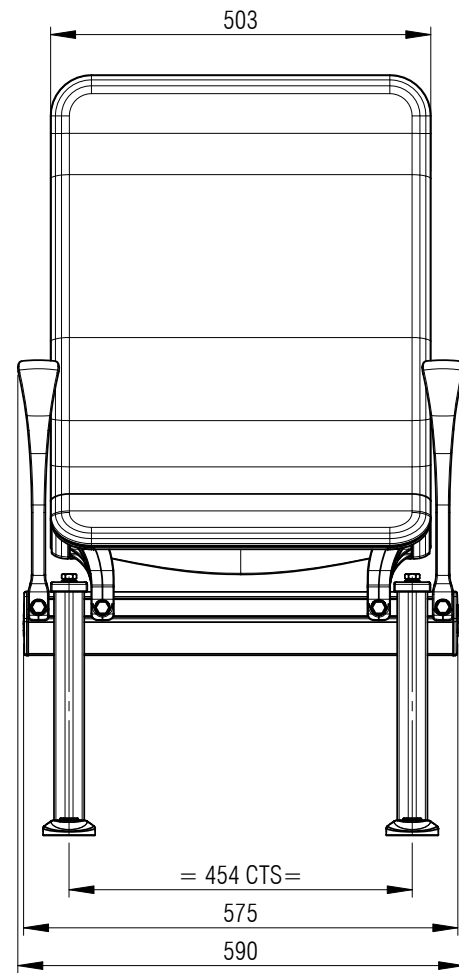
ITEM NO.	PART #	DESCRIPTION	REVISION	QTY.
1	BA-SF500-1S	BEAM ASSEMBLY SEA-FORCE 500 1 SEAT	A	1
2	LA-IN-T-AN-500	LEG ASSEMBLY INTERNAL TRACK ANODISED 500MM	A	2
3	SA-SF500-HB-WA-00	SEAT ASSEMBLY SEA-FORCE 500 HIGH BACK WITH HARDWARE	A	1
4	AA-CA-WH	CAST ARMREST WITH HARDWARE	A	2



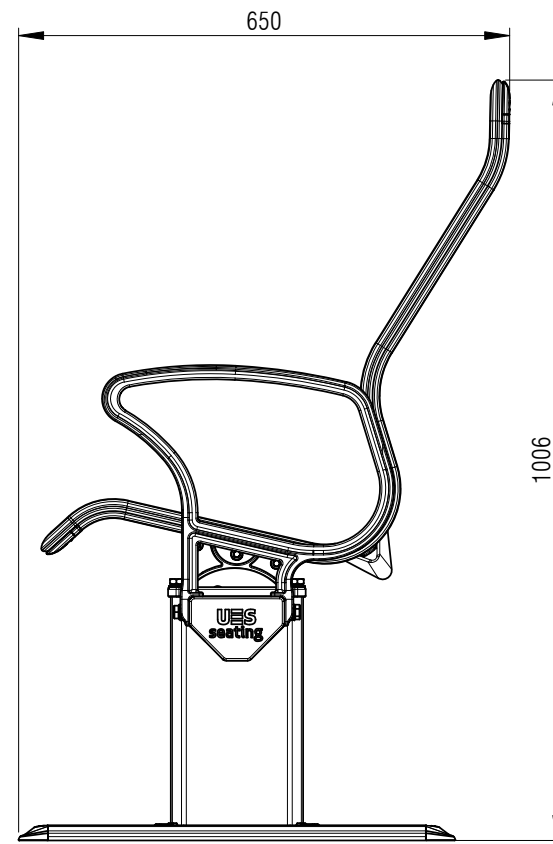
PICTORIAL VIEW



EXPLODED PICTORIAL VIEW



FRONT VIEW



SIDE VIEW

Print Name: _____

Signature of Approval: _____

Date: _____

QTY: TBA

REV.	DESCRIPTION	DATE	APPROVED
A	INITIAL RELEASE	08/05/2020	SR

REVISIONS			
© UES SEATING 2020 ALL MEASUREMENTS ARE IN MM UNLESS STATED OTHERWISE TOLERANCES: LINEAR (PART): ± 0.5 mm LINEAR (ASSEMBLY): ± 1.5 mm ANGULAR (PART): ± 0.5° ANGULAR (ASSEMBLY): ± 1.0°	UES seating A Division of UES International TITLE: GENERAL ASSEMBLY SEA-FORCE 500 HIGH BACK 1 SEAT INTERNAL TRACK RIVETED WITH ARMREST DRAWING NO: GA-SF500HB-1-WA00-IN-TR-A REVISION: A		
NAME: SR DATE: 08/05/2020 DRAWN: FR DATE: 13/05/2020 CHK'D: APPVD:	MATERIAL: AS PER PARTS LIST WEIGHT (KG): 14.04 FINISH: AS PER PARTS LIST COMBUSTABLE WEIGHT (KG): 1.051		
SHEET SIZE: A3	SCALE: 1:10	SHEET 1 OF 1	