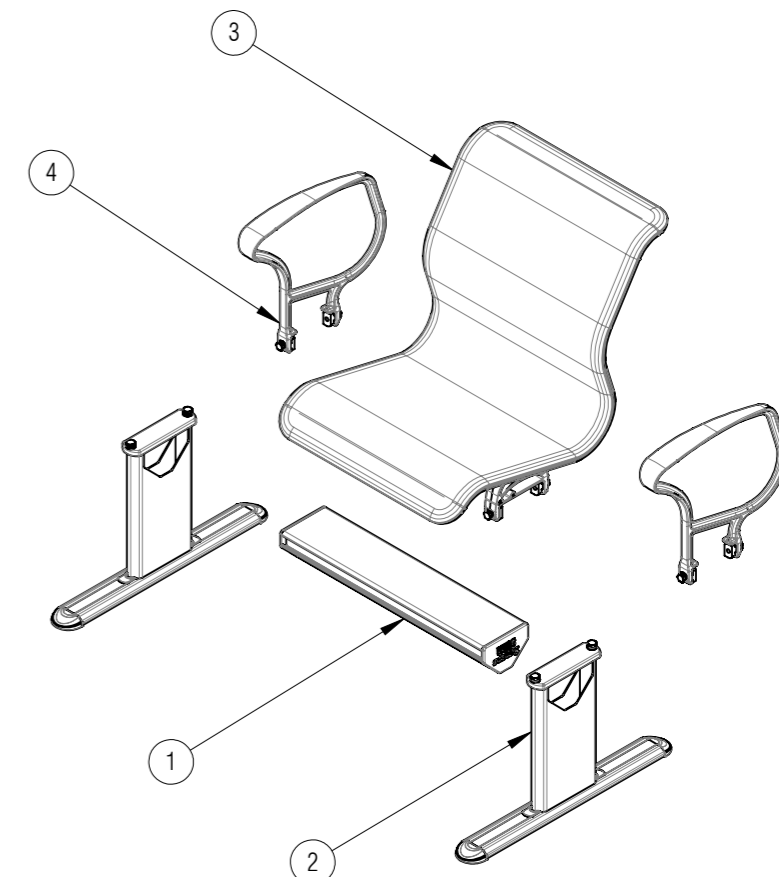


BOM TABLE

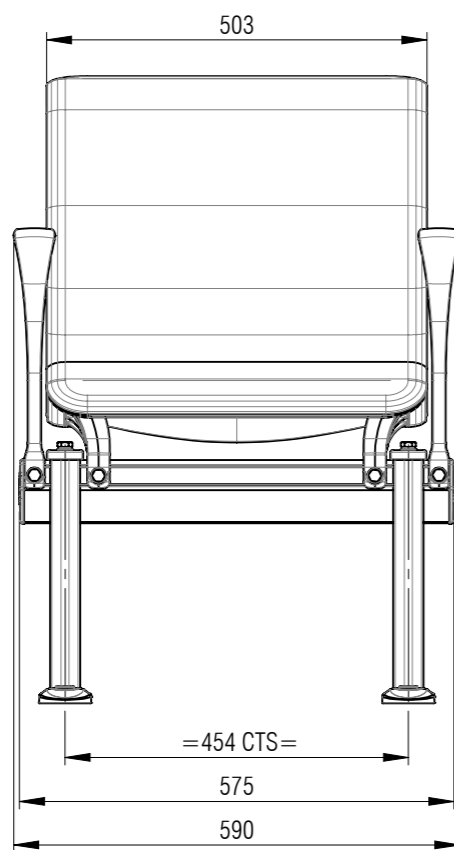
ITEM NO.	PART #	DESCRIPTION	REVISION	QTY.
1	BA-SF500-1S	BEAM ASSEMBLY SEA-FORCE 500 1 SEAT	A	1
2	LA-IN-T-AN-500	LEG ASSEMBLY INTERNAL TRACK ANODISED 500MM	A	2
3	SA-SF500-LB-WA-00	SEAT ASSEMBLY SEA-FORCE 500 LOW BACK WITH HARDWARE	A	1
4	AA-CA-WH	CAST ARMREST WITH HARDWARE	A	2



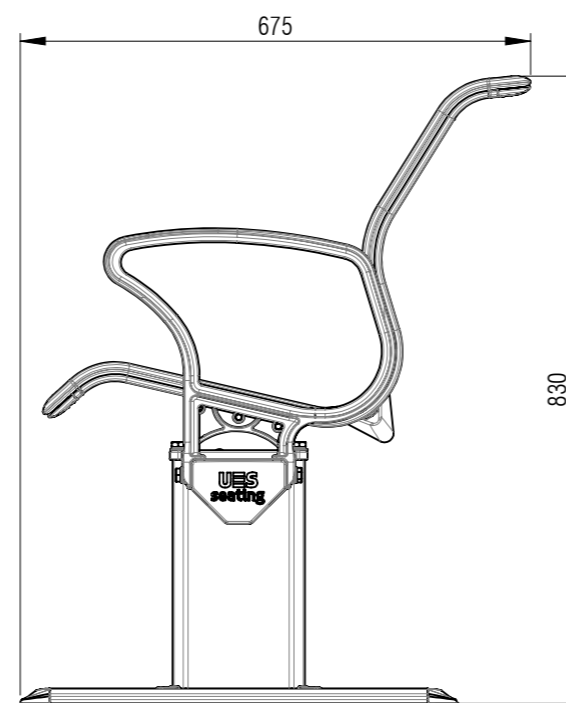
PICTORIAL VIEW



EXPLODED PICTORIAL VIEW



FRONT VIEW



SIDE VIEW

REV.	DESCRIPTION	DATE	APPROVED
A	INITIAL RELEASE	15/05/2020	SR

REVISIONS			
© UES SEATING 2020 ALL MEASUREMENTS ARE IN MM UNLESS STATED OTHERWISE TOLERANCES: LINEAR (PART): ± 0.5 mm LINEAR (ASSEMBLY): ± 1.5 mm ANGULAR (PART): ± 0.5° ANGULAR (ASSEMBLY): ± 1.0°			
TITLE: GENERAL ASSEMBLY SEA-FORCE 500 LOW BACK 1 SEAT INTERNAL TRACK RIVETED WITH ARMREST			
DRAWING NO: GA-SF500LB-1-WA00-IN-TR-A		REVISION: A	
MATERIAL: AS PER PARTS LIST		WEIGHT (KG): 13.70	
FINISH: AS PER PARTS LIST		COMBUSTABLE WEIGHT (KG): 0.984	
SHEET SIZE: A3		SCALE: 1:10	
		SHEET 1 OF 1	