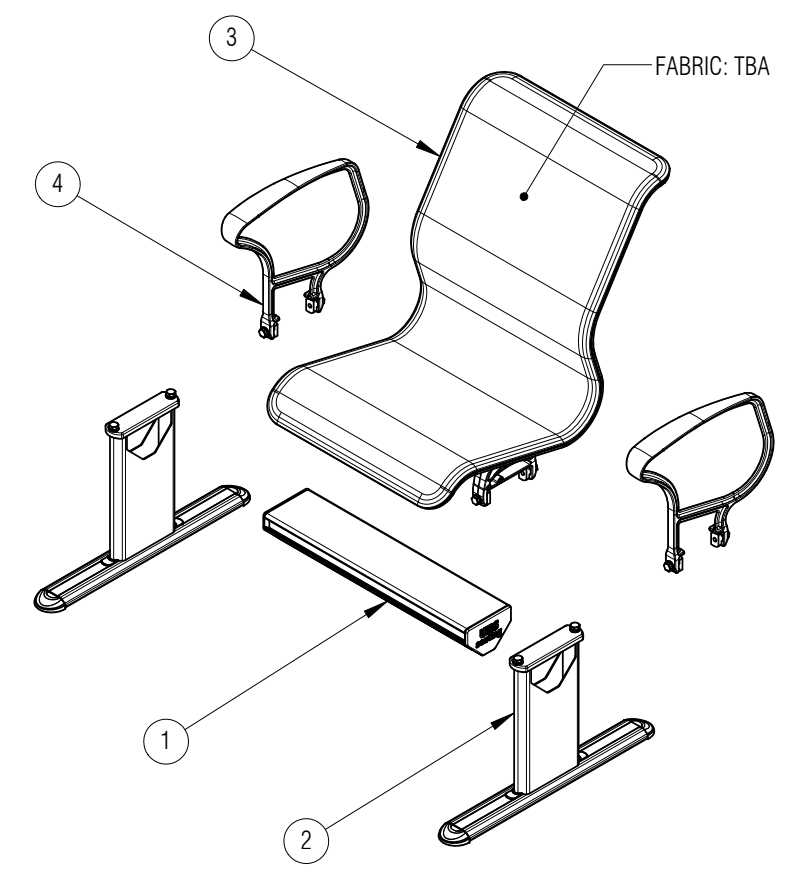


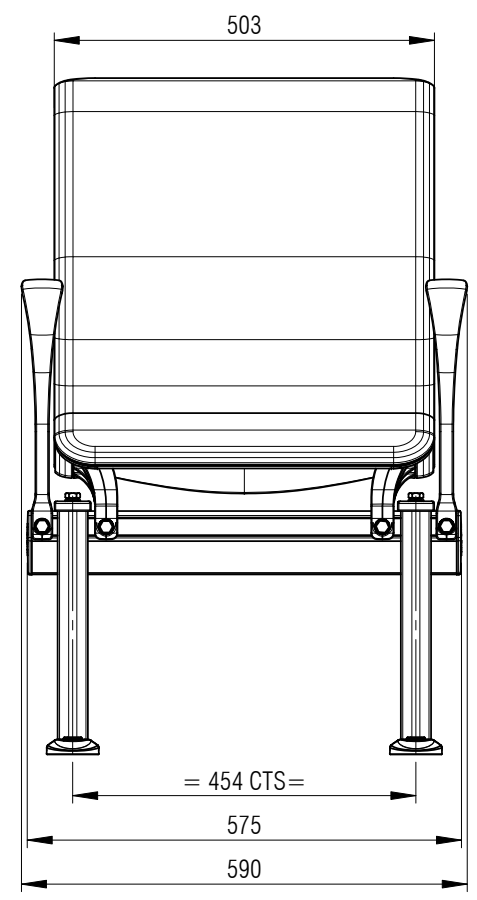
BOM TABLE				
ITEM NO.	PART #	DESCRIPTION	REVISION	QTY.
1	BA-SF500-1S	BEAM ASSEMBLY SEA-FORCE 500 1 SEAT	A	1
2	LA-IN-T-AN-500	LEG ASSEMBLY INTERNAL TRACK ANODISED 500MM	A	2
3	SA-SF500-MB-WA-00	SEAT ASSEMBLY SEA-FORCE 500 MEDIUM BACK WITH HARDWARE	A	1
4	AA-CA-WH	CAST ARMREST WITH HARDWARE	A	2



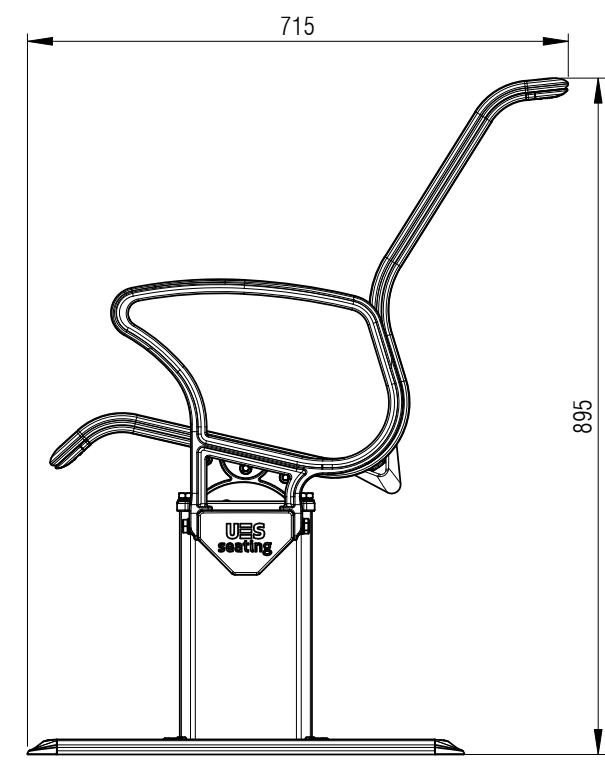
PICTORIAL VIEW



EXPLODED PICTORIAL VIEW




FRONT VIEW



SIDE VIEW

QTY: TBA

A	INITIAL RELEASE	13/05/2020	SR
REV.	DESCRIPTION	DATE	APPROVED
REVISIONS			
© UES SEATING 2020 ALL MEASUREMENTS ARE IN MM UNLESS STATED OTHERWISE TOLERANCES: LINEAR (PART): ± 0.5 mm LINEAR (ASSEMBLY): ± 1.5 mm ANGULAR (PART): ± 0.5° ANGULAR (ASSEMBLY): ± 1.0°		 A Division of UES International	
TITLE: GENERAL ASSEMBLY SEA-FORCE 500 MEDIUM BACK 1 SEAT INTERNAL TRACK RIVETED WITH ARMREST			
DRAWING NO:		REVISION:	
GA-SF500MB-1-WA00-IN-TR-A		A	
MATERIAL:		WEIGHT (KG):	
AS PER PARTS LIST		13.91	
FINISH:		COMBUSTABLE WEIGHT (KG):	
AS PER PARTS LIST		1.025	
SHEET SIZE: A3		SCALE:1:10	
		SHEET 1 OF 1	

Print Name: \_\_\_\_\_

Signature of Approval: \_\_\_\_\_

Date: \_\_\_\_\_