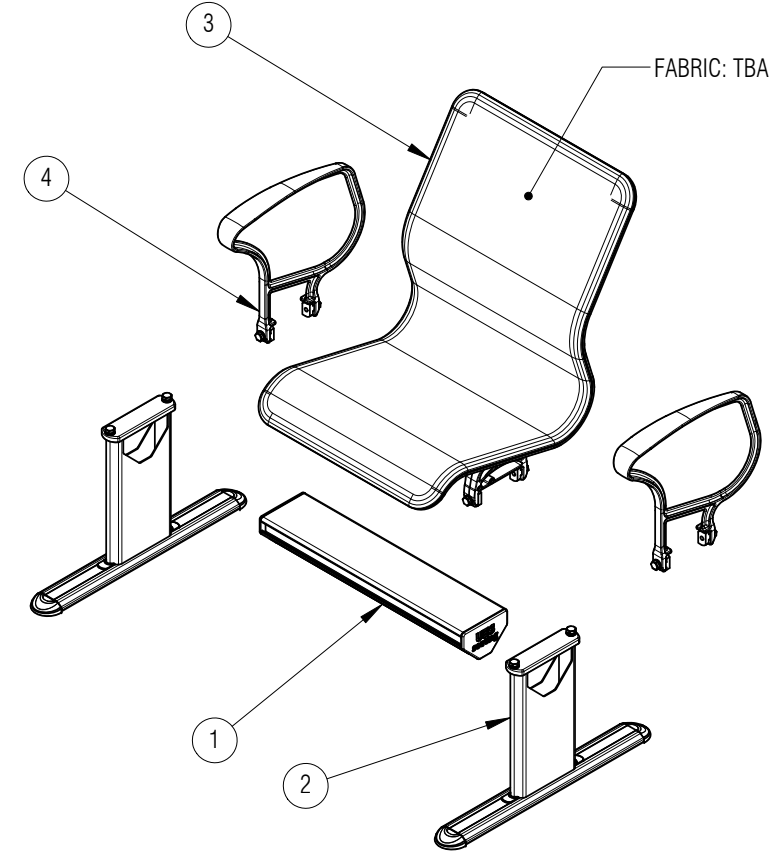


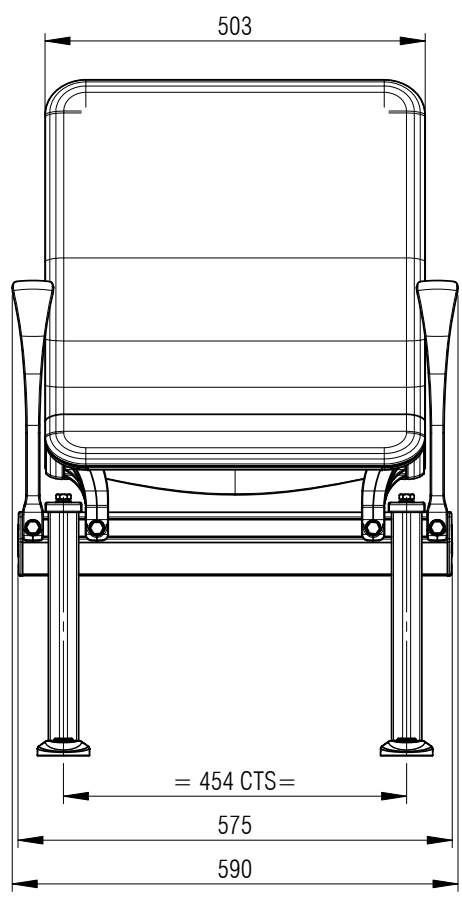
BOM TABLE				
ITEM NO.	PART #	DESCRIPTION	REVISION	QTY.
1	BA-SF500-1S	BEAM ASSEMBLY SEA-FORCE 500 1 SEAT	A	1
2	LA-IN-T-AN-500	LEG ASSEMBLY INTERNAL TRACK ANODISED 500MM	A	2
3	SA-SF500-MBS-WA-00	SEAT ASSEMBLY SEA-FORCE 500 MEDIUM BACK STRAIGHT WITH HARDWARE	A	1
4	AA-CA-WH	CAST ARMREST WITH HARDWARE	A	2



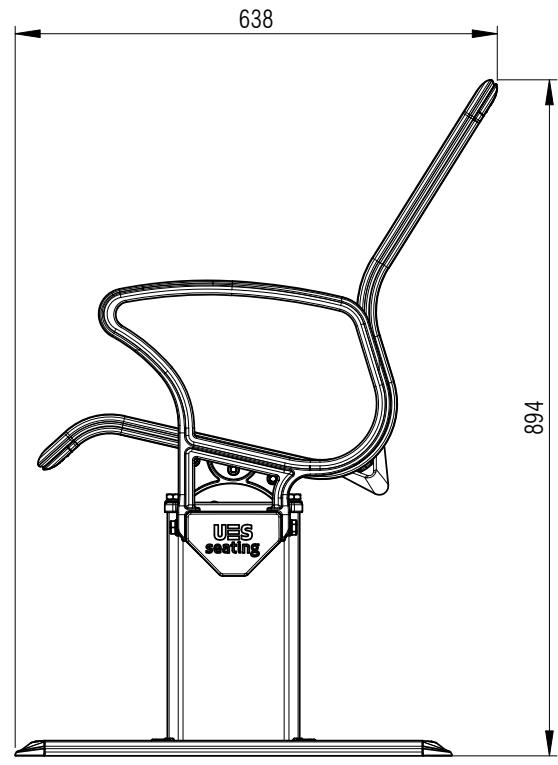
PICTORIAL VIEW



EXPLODED PICTORIAL VIEW




FRONT VIEW



SIDE VIEW

QTY: TBA

A	INITIAL RELEASE	14/05/2020	SR
REV.	DESCRIPTION	DATE	APPROVED
REVISIONS			
© UES SEATING 2020 ALL MEASUREMENTS ARE IN MM UNLESS STATED OTHERWISE TOLERANCES: LINEAR (PART): ± 0.5 mm LINEAR (ASSEMBLY): ± 1.5 mm ANGULAR (PART): ± 0.5° ANGULAR (ASSEMBLY): ± 1.0°		 A Division of UES International	
TITLE: GENERAL ASSEMBLY SEA-FORCE 500 MEDIUM BACK STRAIGHT 1 SEAT INTERNAL TRACK RIVETED WITH ARMREST		REVISION: A	
DRAWING NO: GA-SF500MBS-1-WA00-IN-TR-A		MATERIAL: AS PER PARTS LIST	
FINISH: AS PER PARTS LIST		WEIGHT (KG): 13.72 COMBUSTABLE WEIGHT (KG): 0.985	
SHEET SIZE: A3		SCALE: 1:10	
SHEET 1 OF 1			

Print Name: \_\_\_\_\_

Signature of Approval: \_\_\_\_\_

Date: \_\_\_\_\_